

Trucks for life
ISUZU

N-SERIES REWARD

Light-Duty Trucks GVW 5.2-9.5ton



Reliable Performance, Wide Model Range, and the Best Selection for Your Success

Excellent durability and reliable quality made in Japan to satisfy various user needs.
From in-city short-distance use to intercity long-distance transportation,
REWARD offers reliable performance to support your business.
Everyone will come to know ISUZU's quality and craftsmanship.



JAPAN QUALITY

Engineered &
Manufactured in
Japan

TESTED TOUCH

Durability &
Safety

PROVEN

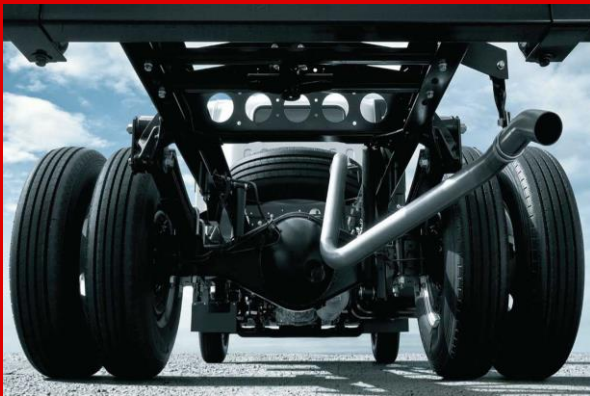
Design,
Performance
& Function

High Standard, Reliable Strength

Tested in the toughest conditions to achieve reliable durability and strength. REWARD meets your needs with its toughness even in scorching desert.



Durability



Robust Frame and Durable under Harsh Conditions

Frame width 850mm Fitted to the 6.5-ton class and above models.

Customers can utilize 850mm subframe body application, which is very common in GCC market. The strength of frame will increase durability and will provide longer lifetime for the vehicle.

Thicker dimensions of the frame makes it stronger when it is subjected to the load, making the truck more durable. Higher GAW, makes the weight distribution on the axle more flexible and durable.



Tough rigid axle suspension

Axles and suspensions are constructed not only to carry cargo, engine, and chassis, but also to provide better maneuverability, safety and comfort.

Rigid Axle Suspension



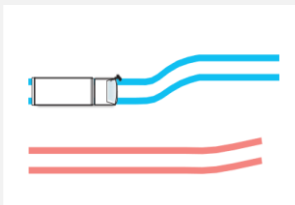
ISUZU's Testing System that Supports High Durability

- Endurance Reliability** ■ Testing with various traveling patterns and driving situations in the special circuit that replicates the road conditions all over the world.
- Environmental Responsiveness** ■ Guarantees long-term operation in high temperature sandy environments.
- Safety Performance** ■ Pursues the performance of the vehicle's basic features such as braking performance and body safety structure.

Safety

Active Safety

ABS (anti-lock brake system)



Maintains vehicle stability by controlling wheel locking on slippery road surfaces. Even when taking evasive maneuvers at time of emergency, the stability also contributes to minimizing the size of accidents.

Multi-reflector halogen headlamps



Clear resin lenses and step reflectors provide outstanding illumination over a broad area to improve nighttime visibility and safety.

Front and rear drum brakes



Extra-large brakes improve braking performance

Passive Safety

Highly rigid cab



The highly rigid cab brings the highest level of collision safety to cab-over vehicles. Door waist areas are reinforced, and the frame is strengthened to maintain the integrity of the cab forming a protective cocoon that limits injury in the events of accident.

ELR 3-point system seatbelt



(Center seat: 2-point)
Effectively restrain and protect driver and passengers during a collision.

Reinforced door waist



Minimizes distortion in the shape of the cab in the event of accident.

World-renowned ISUZU Engine

The world-renowned ISUZU diesel engine with improved power, durability and fuel efficiency will lead your business to the next stage.

PRO (Electrical Control Engine)

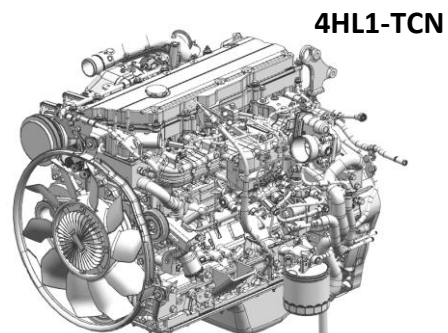
High performance engine with high power output, fuel efficiency, and quiet operation.

4HL1-TCN Direct injection, OHC, Diesel

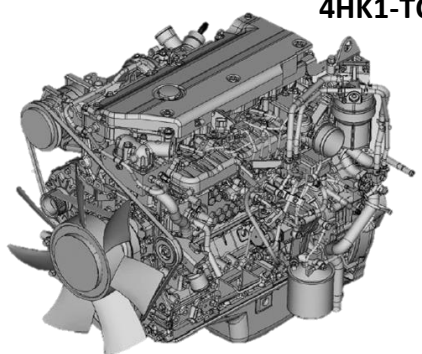
- Displacement 4,778cc
- Max. Output 130PS/2,600rpm
- Max. Torque 375N•m (38.0kgf•m)

4HK1-TCN Direct-injection OHC, Diesel

- Displacement 5,193cc
- Max. Output 150PS /2,600rpm
- Max. Torque 402N•m (41.0kgf•m)



4HL1-TCN

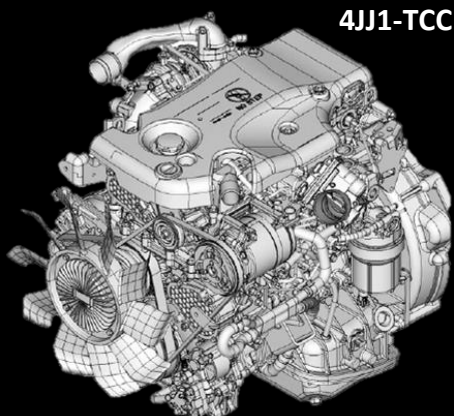


4HK1-TCN

Direct injection high pressure common rail system.
Simple structure with
higher durability.

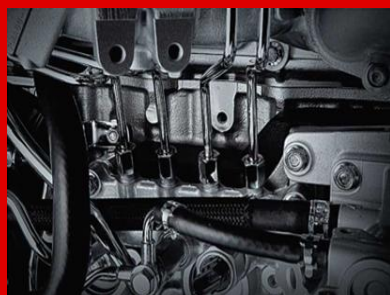
4JJ1-TCC Direct Injection High Pressure Common Rail System – DOHC Intercooled Turbo

- Displacement 2,999cc
- Max. Output 130PS/2,800rpm
- Max. Torque 330N•m (34.0kgf•m)



4JJ1-TCC

Common-rail injection system



Electronic control precisely injects fuel at extremely high pressure in 1/1000 second units and determines optimal injection amounts, reducing NOx and particulate matter (PM).

16-Valve DOHC



Valve operation is accurately timed even at high rpm, increasing air intake and discharge from cylinders, thereby raising intake and exhaust efficiency. These optimal combustion conditions reduce PM and black smoke while raising fuel economy. (4JJ1-TC)



Ever improving ISUZU earns high evaluation around Middle East



Diversity

ISUZU continues to improve by collecting user needs from GCC countries and using them for future vehicle model development.

Customizability

Different kinds of vehicles specifications are lined up to match various body customizations.

Practicality

Thanks to its performance and durability, Isuzu maintains the number one position in the Middle East for almost a decade.

Reasons Why REWARD means High Quality



Engineering

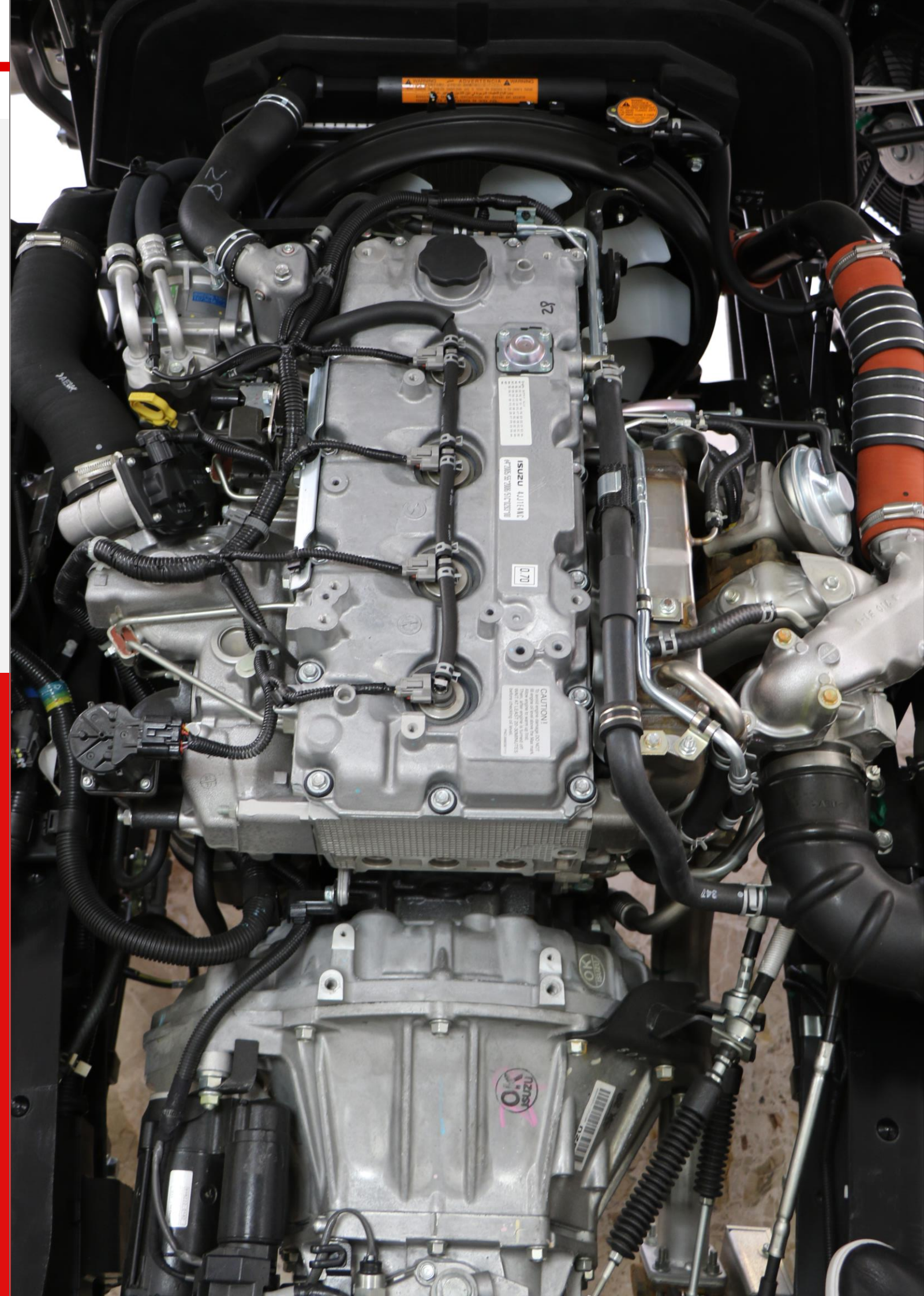
Light-weight, compact, and high-power output engines that are precisely designed using the latest multi-dimensional CAD.

Quality Control

A well-established manufacturing structure which prevents defects from going through to the next process by setting multiple check points at each process.

Manufacturing

Distributed around the world, our production know-how, which we have cultivated over many years and expanded our homogenized products and services globally.



Meets Any Business Needs

Designed with functional beauty and customization to fulfill any job. With wide range of selections, you can choose the best model for your business.



LED Meters



Photo might vary from actual truck.

Meter panel graphics are totally renewed and incorporate ISO-compliant warning symbols. Meters are also easier to read, allowing drivers to confirm vehicle status at a glance. Moreover, LED lighting uses less electrical power, and lamps have a long service life.

More Space for DIN devices



Photo might vary from actual truck.

Vehicles are equipped with more devices that use DIN connectors, and there is plenty of room to neatly install Information terminals and audio equipment. Up to six DIN devices can be installed, double than before.

Performance

Improved cooling performance



Computer analysis and actual testing of vehicles ensure that the cooling system is more than a match for the high performance of engines and emission treatment systems.

Manual transmission



Photo might vary from actual truck.

Powerful yet economical and easy to handle. Reliability and durability, you can count on.

AMT (Automated Manual Transmission) [Opt]

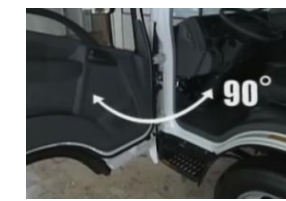


Photo might vary from actual truck.

Easy Driving (No Clutch Operation). Avoid variation of the fuel efficiency among different drivers (Gear shifting is completely computerized). Maintenance free clutch (Fluid Coupling System).

Function

Excellent ingress/egress 90deg. door opening



The upright front pillars allow doors to open to 90-degree wide angle and provide a larger door opening for effortless cab access. Also, wider steps and floor contribute to easy ingress/egress.

Vertical outside handles

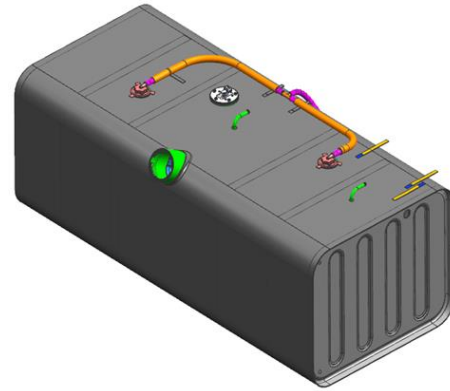


Vertical handles make it easier to access tall vehicles. In addition, grips are designed to accommodate thick gloves.

Thanks to entry grips and wide opening door angle, ISUZU achieved first place in easy entrance and exist.

Bigger Fuel Tanks Capacity (200L) [Opt]

ISUZU N-series has the biggest fuel tank capacity. Some customers use 6.5t, 7.5t, 8.5t, 9.5t for long distance trips. We offer a genuine 200L tank that fits the customers' need. The genuine tank quality is much better than retrofitting a fuel tank (adding a sub tank), which often causes fuel leakage or fuel theft by a hose. Fuel quality differs from one region to another, by installing a bigger fuel tank, customers can avoid the risk of refueling in areas with poor fuel quality.



ACG 90A & High-Capacity Battery [Opt]

Higher ACG SPEC. 90A, to match various customers applications.

ISUZU configurate 90A of ACG to meet wide variety of body applications which need high supply of electricity from chassis with higher capacity of ACG, customers will be at low risk of braking ACG, which may cause customer daily operation to be disrupted.

Electricity demand vs supply



Photo might vary from actual truck.

For some body applications which need high supply of electricity, **ACG90A and 80D26L battery** are necessary.



Photo might vary from actual truck.

Crew cab Rear cooler

Double refrigerant condensers. **(Better cooling efficiency)**
Stronger and powerful blower motor.
3 Big Vents in the center.
Flexible round air louver. **(Better cold air distribution)**

We have **the finest air conditioning** with a bigger double refrigerant condensers. We have **the best** air flow and distribution with a strong blower motor, 3 big vents and flexible round louver.



Isuzu offers the best performance with a fantastic cold and strong rear cooler for passengers in the light duty truck category.



USB charger for Smart phone or tablet

Standard for NPR85 6.5 ton.

We provide high quality genuine USB charger.



Photo might vary from actual truck.

NMR GVW 5,200 / 5,500kg

4JJ1-TC [5.2ton/ 5.5ton]
96kW(130PS)/2,800rpm
330N*m(34.0kg*m)/1,600rpm



EXTERIOR COLORS



ARC WHITE
More colors available
upon request.

NPR GVW 6,500 / 7,500kg



4HL1-TCN [6.5ton]
130PS/2,600rpm
38.0kg*m/1,600rpm



4JJ1-TCC [6.5ton]
96kW(130PS)/2,800rpm
330N*m(34.0kg*m)/1,600rpm



4HK1-TCN [7.5ton]
110kW(150PS)/2,600rpm
404N*m(41.0kg*m)/1,500rpm



4JJ1-TC [7.5ton]
96kW(130PS)/2,800rpm
330N*m(34.0kg*m)/1,600rpm

NQR GVW 8,000 / 9,500kg



4HK1-TCN [8.5ton]
110kW(150PS)/2,600rpm
404N*m(41.0kg*m)/1,500rpm



NMR/NPR Crew Cab GVW 5,200 – 6,500kg

4HK1-TC [9.5ton]
110kW(150PS)/2,600rpm
404N*m(41.0kg*m)/1,500rpm

4JJ1-TC [5.2ton/ 5.5ton]
96kW(130PS)/2,800rpm
330N*m(34.0kg*m)/1,600rpm

4JJ1-TCC [6.5ton]
96kW(130PS)/2,800rpm
330N*m(34.0kg*m)/1,600rpm

Factory complete vehicle applications

There are wide varieties of rear bodies, application-specific models and modifications to choose from, depending on the specialized needs of your business.

Three Drop Gate



Single cab (Wide)



Crew cab (Standard)

Dump



SUPPORT YOUR BUSINESS

Support System in GCC Area

Field Engineer

Dispatched to the site when unforeseen problems arise. They identify the cause of the problem and solve it at the root so that malfunction never occurs again.

Sales Engineer

Survey and study customer needs and requests from all over the world, and provide the best models and specifications for each market.

Spare Parts

Contribute to reduce down-time by supplying parts promptly using the dealer's network located in each country. Also, our depot is built in Dubai to meet the region's needs and ensure parts availability.



NPR

Delivering profit to you



MAIN SPECIFICATIONS

Class	NPR				
Model	NPR85H	NPR85K	NPR85H	NPR85K	NPR85F
Rear Tire	Dual	Dual	Dual	Dual	Dual
G.V.W. [Kg]	6,500	6,500	6,500	6,500	7,500
Type	Cab Chassis/ Flat Cargo	Cab Chassis/ Flat Cargo	Crew Cab Chassis/ Flat Cargo	Crew Cab Chassis/ Flat Cargo	Dump Body
Seating Capacity	3	3	7	5	3

ENGINE

Model	4JJ1-TCC	4JJ1-TCC	4JJ1-TCC	4JJ1-TCC	4JJ1-TC
Type	Direct Injection DOHC, Diesel				
No. of cylinders	4	4	4	4	4
Displacement [cc]	2,999	2,999	2,999	2,999	2,999
Max. Output [PS/rpm]	130 / 2,800	130 / 2,800	130 / 2,800	130 / 2,800	130 / 2,800
Max. Torque [kg·m/rpm]	34.0 / 1,600	34.0 / 1,600	34.0 / 1,600	34.0 / 1,600	34.0 / 1,600
Starter	24V - 4.0kW	24V - 4.0kW	24V - 4.0kW	24V - 4.0kW	24V - 4.0kW

MASS (kg)

Cab Chassis / Vehicle Mass	2397 / 2852	2434 / 2944	2560 / 2905	2652 / 3097	3287
----------------------------	-------------	-------------	-------------	-------------	------

CHASSIS

Clutch	Type	Dry Single Plate				
	Size [Mm]	300	300	300	300	300
Transmission	Type	MY-5T 5Speed	MY-5T 5Speed	MY-5T 5Speed	MY-5T 5Speed	MY-6S 6Speed
	Diameter [mm]	292	292	292	292	320
Final Gear	Gear Ratio	6.142	6.142	6.142	6.142	6.142
	Type	Oil Brake with Power Assist				
Brake	Parking	Center Brake				
	Type	Power Assist				
Axle	Front	F031	F031	F031	F031	F031
	Rear	R050	R050	R050	R050	R066
Suspension		FR MultiLeaf & RR MutliLeaf		FR TaperLeaf & RR MutliLeaf	FR MultiLeaf & RR MutliLeaf	
Frame		850mm Straight	850mm Straight	FR 820mm & RR 750mm	850mm Straight	850mm Straight
Tire	Front & Rear	215/75R17.5 (OPT 7.5R-16-12)	215/75R17.5 (OPT 7.5R-16-12)	215/75R17.5 (OPT 7.5R-16-12)	215/75R17.5 (OPT 7.5R-16-12)	215/75R17.5 (OPT 7.5R-16-12)
	Disc Wheel	17.5X6.00-127 (OPT 6.00GSX16-127)	17.5X6.00-127 (OPT 6.00GSX16-127)	17.5X6.00-127 (OPT 6.00GSX16-127)	17.5X6.00-127 (OPT 6.00GSX16-127)	17.5X6.00-127 (OPT 6.00GSX16-127)
Fuel Tank Capacity Liter		100L [OPT 200L]	100L [OPT 200L]	100L	100L	100L

NPR					
NPR81H	NPR81K	NPR75F	NPR75K	NPR75K	NPR75L
Dual	Dual	Dual	Dual	Dual	Dual
6,500	6,500	7,500	7,500	7,500	7,500
Cab chassis/ Flat Cargo	Cab chassis /Flat Cargo	Cab chassis / Dump	Cab chassis / Flat Cargo	Cab chassis	Cab chassis
3	3	3	3	3	3

4HL1-TCN	4HL1-TCN	4HK1-TCN	4HK1-TCN	4HK1-TCN	4HK1-TCN
Direct Injection, OHC, Diesel					
4	4	4	4	4	4
4,778	4,778	5,193	5,193	5,193	5,193
130 / 2,600	130 / 2,600	150 / 2,600	150 / 2,600	150 / 2,600	150 / 2,600
38 / 1,600	38 / 1,600	41.0 / 1,500	41.0 / 1,500	41.0 / 1,500	41.0 / 1,500
24V - 4.0kW	24V - 4.0kW	24V - 4.0kW	24V - 4.0kW	24V - 4.0kW	24V - 4.0kW

2630 / 3055	2685 / 3170	2555 / 3485	2725 / 3210	2740	2785
-------------	-------------	-------------	-------------	------	------

Dry Single Plate				Fluid Coupling	Dry single plate
300	300	325	325	-	325
MY-6S 6Speed	MY-6S 6Speed	MY-6S 6Speed	MY-6S 6Speed	MY-6S 6Speed NEES	MY-6S 6Speed
292	292	320	320	320	320
4.777	4.777	4.777	4.556	4.556	4.556
Oil Brake with Power Assist					
Center Brake					
Power Assist					
F031	F031	F031	F031	F031	F031
R050	R050	R066	R066	R066	R066
FR MultiLeaf & RR MutliLeaf					
850mm Straight	850mm Straight	850mm Straight	850mm Straight	850mm Straight	850mm Straight
215/75R17.5 (OPT 7.5R-16-12)	215/75R17.5 (OPT 7.5R-16-12)	215/75R17.5 (OPT 7.5R-16-12)	215/75R17.5 (OPT 7.5R-16-12)	215/75R17.5 (OPT 7.5R-16-12)	215/75R17.5 (OPT 7.5R-16-12)
17.5X6.00-127 (OPT 6.00GSX16-127)	17.5X6.00-127 (OPT 6.00GSX16-127)	17.5X6.00-127 (OPT 6.00GSX16-127)	17.5X6.00-127 (OPT 6.00GSX16-127)	17.5X6.00-127 (OPT 6.00GSX16-127)	17.5X6.00-127 (OPT 6.00GSX16-127)
100L [OPT 200L]	100L [OPT 200L]	100L	100L [OPT 200L]	100L [OPT 200L]	100L [OPT 200L]

NLR | NMR | NQR | NPS

Delivering
profit to you



MAIN SPECIFICATIONS

Class	NLR		NMR	
Model	NLR77E	NMR85E	NMR85H	NMR85H
Rear Tire	Single	Dual	Dual	Dual
G.V.W. [Kg]	4,550	5,200 [OPT 5,500]	5,200 [OPT 5,500]	5,200 [OPT 5,500]
Type	Cab chassis / Flat Cargo	Cab chassis / Dump Body	Cab chassis / Flat Cargo	Crew Cab chassis / Flat Cargo
Seating Capacity	3	3	3	6

ENGINE

Model	4JH1-TC	4JJ1-TC	4JJ1-TC	4JJ1-TC
Type	Direct injection, OHC, diesel	Direct Injection, DOHC		
No. of cylinders	4	4	4	4
Displacement [cc]	2,999	2,999	2,999	2,999
Max. Output [PS/rpm]	106/3,200	130 / 2,800	130 / 2,800	130 / 2,800
Max. Torque [kg m/rpm]	23.5/1,400	34.0 / 1,600	34.0 / 1,600	34.0 / 1,600
Starter	12V-2.0kW	24V – 4.0KW	24V – 4.0KW	24V – 4.0KW

MASS (kg)

Cab Chassis / Vehicle Mass	1755 / 2065	2070 / 2625	2090 / 2450	2365 / 2675

CHASSIS

Clutch	Type	Dry Single Plate			
	Size [mm]	250	300	300	300
Transmission	Type	MSB-5S 5Speed	MY-5T 5Speed	MY-5T 5Speed	MY-5T 5Speed
	Diameter [mm]	244	292	292	292
Final gear	Gear ratio	5.125	5.375 / 5.571	5.375	5.375
	Type	Oil Brake with VAC	Oil Brake with VAC 5.2t [OPT Power Assist 5.5t]		
Brake	Parking	Center Brake			
	Type	Power Assist			
Axle	Front	F029	F029	F029	F029
	Rear	R036	R050/R045	R050	R050
Suspension		FR MultiLeaf & RR MultiLeaf	FR TaperLeaf / FR Multi leaf RR MultiLeaf	FR TaperLeaf & RR MultiLeaf	
Frame		FR 740mm & RR 700mm	FR 740mm & RR 700mm	FR 740mm & RR 700mm	FR 740mm & RR 700mm
Tire	Front & Rear	205/85R16	195/85R16	195/85R16	205/85R16
Disc wheel	Front & Rear	16X5.5J-85	16X5.5J-116.5	16X5.5J-116.5	16X5.5J-116.5
Fuel tank capacity	liter	75L	75L	100L	75L

NQR					NPS
NQR75K	NQR75L	NQR75M	NQR90L	NQR90M	NPS75H
Dual	Dual	Dual	Dual	Dual	Dual
8,500	8,500	8,500	9,500	9,500	6,000
Cab chassis	Cab chassis	Cab chassis	Cab chassis	Cab chassis	Cab chassis
3	3	3	3	3	3

4HK1-TCN	4HK1-TCN	4HK1-TCN	4HK1-TC	4HK1-TC	4HK1-TCN
Direct injection, OHC, diesel					
4	4	4	4	4	4
5,193	5,193	5,193	5,193	5,193	5,193
150 / 2,600	150 / 2,600	150 / 2,600	150 / 2,600	150 / 2,600	150 / 2,600
41.0 / 1,500	41.0 / 1,500	41.0 / 1,500	41.0 / 1,500	41.0 / 1,500	41.0 / 1,500
24V – 4.0KW	24V – 4.0KW	24V – 4.0KW	24V – 4.0KW	24V – 4.0KW	24V – 4.0KW

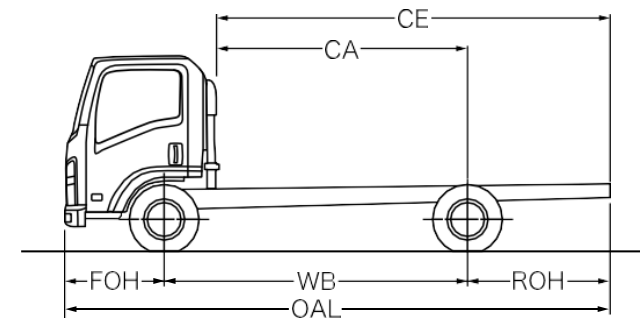
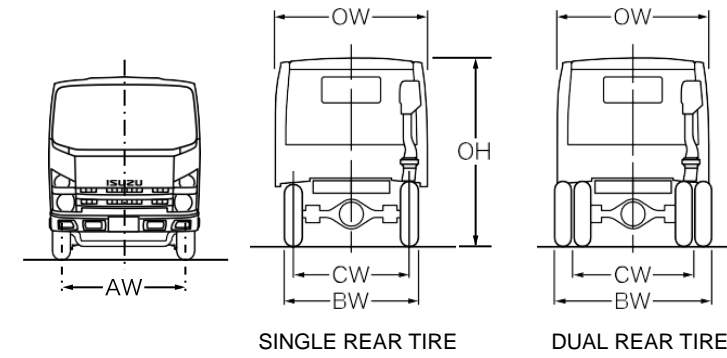
2715	2785	2805	2875	2945	2925
------	------	------	------	------	------

Dry Single Plate					
325	325	325	325	325	325
MY-6S 6Speed	MY-6S 6Speed	MY-6S 6Speed	MY-6S 6Speed	MY-6S 6Speed	MY-5T 5Speed
320	320	320	320	320	320
4.777	4.777	5.125	5.125	5.125	5.125
Oil Brake with Power Assist			Full Air Brake		Oil Brake HBB
Center Brake			Wheel Park Brake		Center Brake
Power Assist					
F033	F033	F033	F031	F031	Fd028
R066	R066	R066	R066	R066	R066
FR MultiLeaf & RR MultiLeaf					
850mm Straight	850mm Straight	850mm Straight	850mm Straight	850mm Straight	850mm Straight
215/75R17.5 (OPT 7.5R-16-14)	215/75R17.5 (OPT 7.5R-16-14)	215/75R17.5 (OPT 7.5R-16-14)	215/75R17.5	215/75R17.5	7.5R-16-10
17.5X6.00-127 (OPT 6.00GSX16-127)	17.5X6.00-127 (OPT 6.00GSX16-127)	17.5X6.00-127 (OPT 6.00GSX16-127)	17.5X6.00-127	17.5X6.00-127	6.00GSX16-127
100L [OPT 200L]	100L [OPT 200L]	100L [OPT 200L]	200L	200L	100L

DIMENSIONS

Unit:mm

MODEL	NLR77E	NLR77E	NMR85E	NMR85E	NMR85H	NMR85H	NMR85H	NMR85H	NPR85H	NPR85H	NPR85K	NPR85K	NPR85H	NPR85H	NPR85K	NPR85K
REAR TIRE	Single	Single	Dual	Dual	Dual	Dual	Dual	Dual	Dual	Dual	Dual	Dual	Dual	Dual	Dual	Dual
TYPE	Cab chassis	Flat cargo	Cab chassis	Dump	Cab chassis	Flat cargo	Crew Cab chassis	Crew Cab Flat cargo	Cab Chassis	Flat cargo	Cab Chassis	Flat cargo	Crew Cab Chassis	Crew Cab Flat cargo	Crew Cab Chassis	Crew Cab Flat cargo
OAL	4730	4805	4730	4770	6020	6105	6020	6105	5985	6069	6635	6744	6100	6185	6635	6744
OW	1815	1890	1855	1815	1815	1890	1815	1890	2120	2120	2120	2120	2040	2170	2120	2120
AW	1475	1475	1475	1475	1475	1475	1475	1475	1680	1680	1680	1680	1680	1680	1680	1680
CW	1395	1395	1425	1240	1425	1425	1425	1425	1650	1650	1650	1650	1525	1525	1650	1650
BW	1645	1645	1855	1850	1855	1855	1865	1865	2120	2120	2120	2120	1990	1990	2120	2120
FOH	1110	1110	1110	1110	1110	1110	1110	1110	1110	1110	1110	1110	1110	1110	1110	1110
WB	2475	2475	2475	2475	3345	3345	3345	3345	3365	3365	3815	3815	3395	3395	3815	3815
ROH (Frame end)	1145	1220	1145	1185	1565	1650	1565	1650	1510	1594	1710	1819	1595	1680	1710	1819
CA	2022	2022	2022	2022	2892	2892	1781	1781	2792	2792	3242	3242	1831	1831	2251	2251
CE	3167	3242	3167	3207	4457	4542	3346	3431	4302	4386	4952	5061	3426	3511	3961	4070
OH	2165	2165	2160	2160	2160	2160	2270	2270	2290	2285	2290	2285	2255	2255	2310	2305
FR Axle to cab end	453	453	453	453	453	453	1564	1564	573	573	573	573	1564	1564	1564	1564



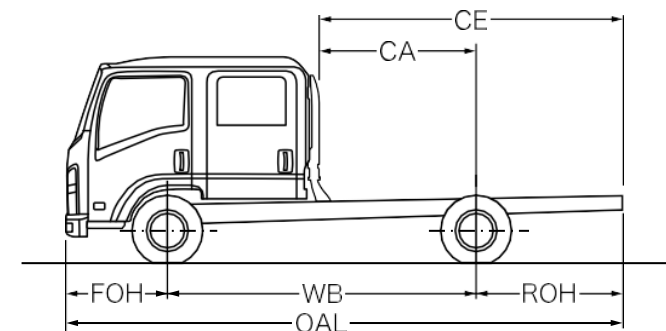
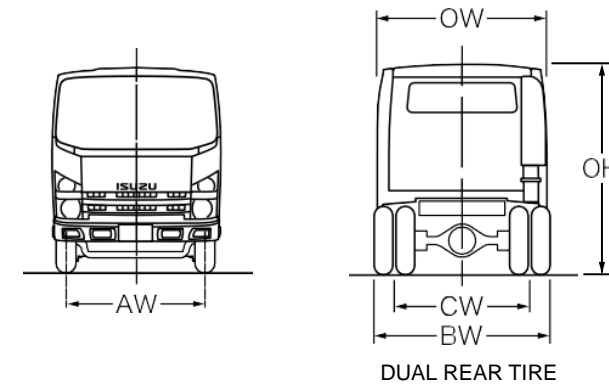
NL / NM / NP / NQ



The photo doesn't reflect the actual dimensions of all the models

Unit:mm

MODEL	NPR85F (7.5t)	NPR81H	NPR81H	NPR81K	NPR81K	NPR75F	NPR75F	NPR75K	NPR75K	NPR75L	NQR75K	NQR75L	NQR75M	NQR90L	NQR90M	NPS75H
REAR TIRE	Dual	Dual	Dual	Dual	Dual	Dual	Dual	Dual	Dual	Dual	Dual	Dual	Dual	Dual	Dual	Dual
TYPE	Dump body	Cab chassis	Flat cargo	Cab chassis	Flat cargo	Cab chassis	Dump	Cab chassis	Flat cargo	Cab chassis	Cab chassis	Cab chassis	Cab chassis	Cab chassis	Cab chassis	Cab chassis
OAL	5115	5985	6140	6635	6820	5385	5115	6635	6790	7355	6635	7355	7815	7355	7870	6015
OW	2140	2120	2170	2120	2170	2120	2140	2120	2170	2120	2120	2120	2120	2120	2120	2120
AW	1680	1680	1680	1680	1680	1680	1680	1680	1680	1680	1680	1680	1680	1680	1680	1675
CW	1650	1650	1650	1650	1650	1650	1650	1650	1650	1650	1650	1650	1650	1650	1650	1650
BW	2120	2120	2120	2120	2120	2120	2120	2120	2120	2120	2120	2120	2120	2120	2120	2120
FOH	1110	1110	1110	1110	1110	1110	1110	1110	1110	1110	1110	1110	1110	1110	1110	1080
WB	2765	3365	3365	3815	3815	2765	2765	3815	3815	4175	3815	4175	4475	4175	4475	3395
ROH (Frame end)	1240	1510	1665	1710	1895	1510	1240	1710	1865	2070	1710	2070	2230	2070	2285	1540
CA	2228	2792	2792	3242	3242	2192	2192	3242	3242	3602	3242	3602	3902	3602	3902	2792
CE	3468	4302	4457	4952	5137	3702	3432	4952	5107	5672	4952	5672	6132	5672	6187	4332
OH	2295	2265	2265	2265	2265	2265	2265	2265	2265	2265	2255	2255	2255	2245	2245	2455
FR Axle to cab end	537	573	573	573	573	573	573	573	573	573	573	573	573	573	573	603



NM / NP Crew cab



The photo doesn't reflect the actual dimensions of all the models

● : Standard equipment ◎ : Option equipment -- : Not Available

OPTIONS

MODEL	NLR77	NMR85	NMR85 Crew Cab	NPR85 (6.5t)	NPR85 (6.5t) Crew Cab
-------	-------	-------	----------------	--------------	-----------------------

INTERIOR

2-speaker System (※)	●	●	●	●	●
USB Port	--	--	--	●	●
Seat Belt (Driver / Co-driver : With ELR 3-points, Center : 2-points)	●	●	●	●	●
Ashtray (Driver/Assist)	◎	◎	◎	◎	◎
Heater / Defroster	●	●	●	●	●
Air Conditioner	●	●	●	●	●
Tachometer	●	●	●	●	●
Speedometer (Km / H)	●	●	●	●	●
Power Window / Power Door Locks	◎	◎	◎	●	●
Power Steering	●	●	●	●	●
Tilt And Telescopic Steering	●	●	●	●	●
Roof Header Tray (Driver)	●	●	●	●	●
Cup Holder	●	●	●	●	●
Assist Grip	●	●	●	●	●
Sunvisor (Driver / Co-driver)	●	●	●	●	●

EXTERIOR

Rear Fog lamp	●	●	●	●	●
Front fog lamp	◎	◎	◎	◎	◎

FUNCTION

Pre-fuel Filter	●	●	●	●	●
Fuel Tank Lock	●	●	●	●	●
Wiper-intermittent Type	◎	◎	◎	◎	◎
Exhaust Brake	●	●	●	●	●
FMS Harness	--	--	--	●	●
PTO (Power-take-off)	--	--	--	◎	◎
Reversing Warning Buzzer	●	●	●	●	●
Pre-Air Cleaner	●	●	●	●	●
Cab Tilt Alarm	--	--	--	●	●
Generator 24V90A	◎	◎	◎	◎	◎

NPR85 (7.5t)	NPR81 (6.5t)	NPR75	NQR90	NPS75
--------------	--------------	-------	-------	-------

●	●	●	●	●
●	--	--	--	--
●	●	●	●	●
◎	◎	◎	◎	◎
●	●	●	●	●
●	●	●	●	●
●	●	●	●	●
●	●	●	●	●
●	●	●	●	●
●	●	●	●	◎
--	--	--	--	--
●	●	●	●	●
●	●	●	●	●
●	●	●	●	●
●	●	●	●	●
●	●	●	●	●

(※) check with your local DLR "Radio system"

●	●	●	●	●
◎	◎	◎	◎	◎

●	●	●	●	●
●	●	●	●	●
◎	◎	◎	◎	◎
●	●	●	●	●
●	--	--	--	--
◎	◎	◎	◎	◎
●	●	●	●	●
●	●	●	●	●
●	--	--	--	--
◎	◎	◎	◎	◎



Trucks for life
ISUZU



ISUZU MOTORS INTERNATIONAL FZE
S50909 Jebel Ali Free Zone, P.O.Box 263188
Dubai, United Arab Emirates

ISUZU MOTORS LIMITED reserves the right to change specifications and equipment without notice.
Details of specifications and equipment are also subject to change to meet local conditions and government requirements.
Please inquire at your local ISUZU representative for more complete details of any such changes that may be required.